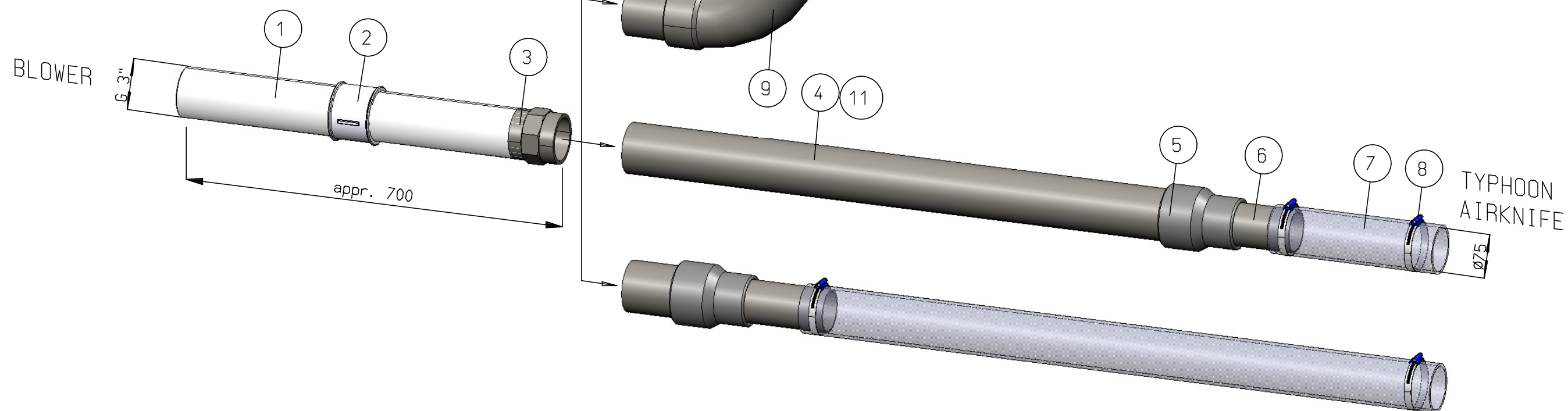


Parts list

| No. | Qa. | Part No. | Description | Dwg. No. |
|-----|-------|------------|--|----------|
| 1 | 2 | 9299143005 | Pipe nipple 3''x300mm | |
| 2 | 1 | 9290060155 | Socket female 3'' | - |
| 3 | 1 | 9290641030 | Adaptor Socket, PVC 90-3'' | - |
| 4 | 2,5 m | 9850413861 | PVC tube $\varnothing 90 \times 2,7$ | |
| 5 | 1 | 9290201518 | Reducer $\varnothing 90 \times \varnothing 75$, PVC | |
| 6 | 0,5 m | 9850412227 | PVC tube $\varnothing 75 \times 2,2$ mm | - |
| 7 | 1,5 m | 6703471075 | Hose ID $\varnothing 75$ | |
| 8 | 3 (2) | 9146075080 | Hose clip $\varnothing 80$ (left) | |
| 9 | 2 | 9299111090 | Bend 90°, with sockets 90mm | - |
| 11 | 1 | 9129900003 | Glue (PVC) 125ml | - |

3 (2) means 3 delivered, 2 drawn

The items, shown in the part list, provides the shown connection possibilities.



NOTE 1: Use the number of pipe nipple as delivered.
Air at blower side will heat up,
therefore first iron ducting required.

NOTE 2: Keep the ducting as short as possible.
Use minimal quantity of bend(s) and hose.
Every bend, joint, connector or system accessory
contributes a certain loss of pressure
(friction of moving air)

| Roughness acc. to ISO 1302 | Dimensions tolerated acc. to ISO 129 | Tolerances of form and position acc. to ISO 1101 | Dimensions in mm. | - | - | - | - | - | - | | | | |
|---|--------------------------------------|--|--|----|------------------|---------|--------------------|------------|----------------------|------------|-------------|--------------|--------------|
| | | | | | | | | | | | | | |
| SIMCO ION An ITW Company www.simco-ion.nl Tel: +31 (0)573 288333 | | | (XX) Control dim. Copyright © SIMCO (Nederland) BV | | Rev. Description | | | | Chk. | Date | | | |
| | | | | | Range (mm) | 0,5 - 3 | >3 - 6 | >6 - 30 | >30 - 120 | >120 - 315 | >315 - 1000 | >1000 - 2000 | >2000 - 4000 |
| | | | | | middle | ±0,1 | ±0,1 | ±0,2 | ±0,3 | ±0,5 | ±0,8 | ±1,2 | ±2 |
| | | | | | rough | ±0,15 | ±0,2 | ±0,5 | ±0,8 | ±1,2 | ±2 | ±3 | ±4 |
| Name: Ducting configuration 1-150-3", (appr. 4,5m) | | | | | | | | Drawn: BSG | Part no.: 1485141040 | | | | |
| CAD GENERATED NOT AUTOMATICALLY UPDATED | | Date: 28-2-2013 | M: 1:10 | A3 | ⊕ | Check: | Dwg. no.: 14851440 | | | | | | |