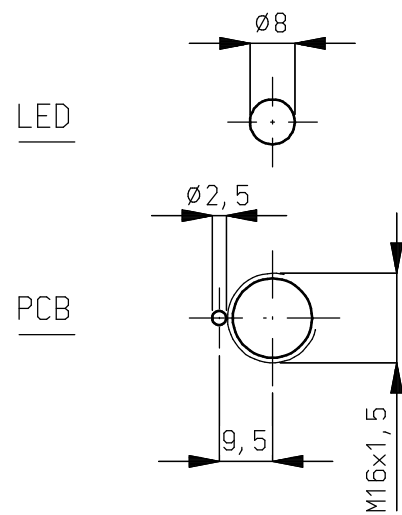
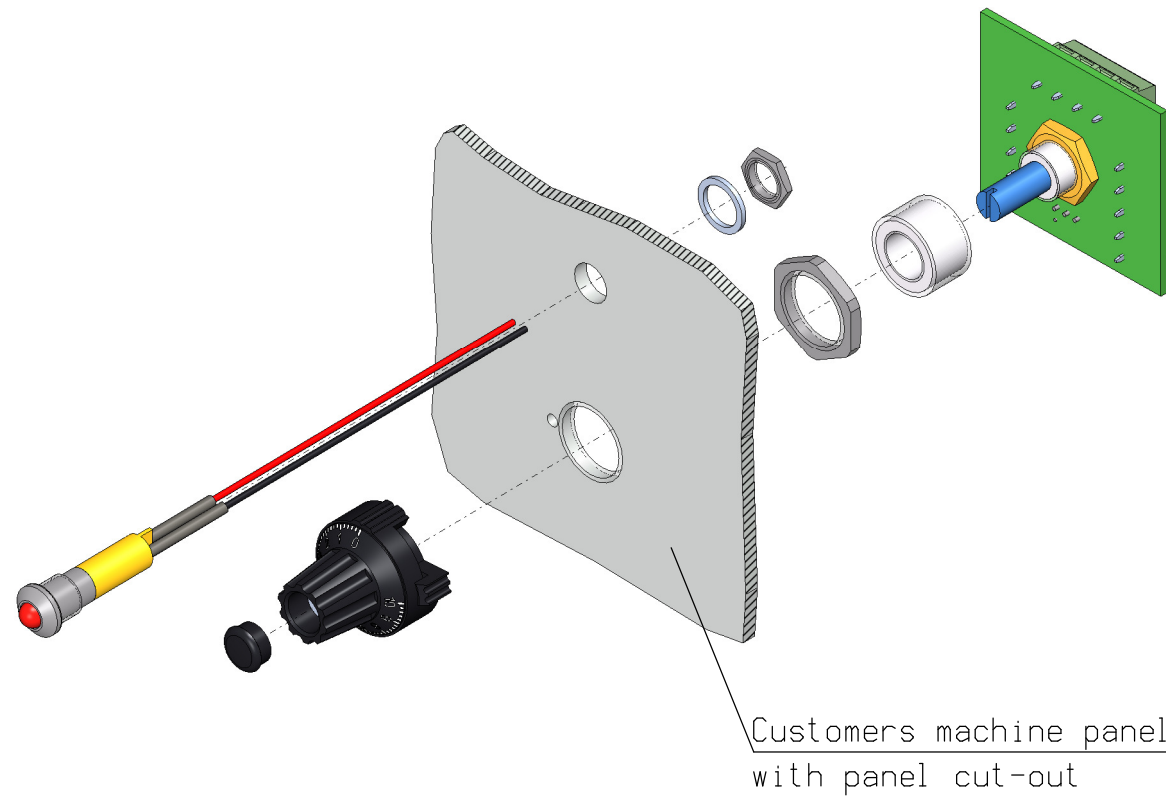


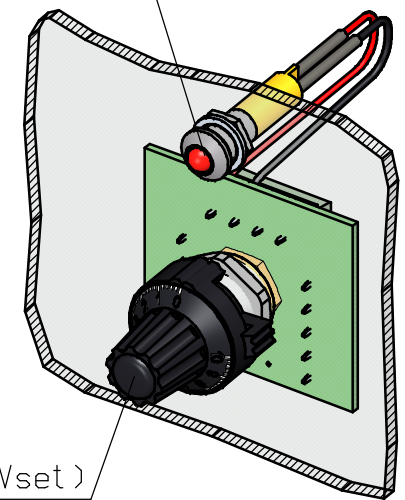
Panel cut-out



Outside view
Max. panel thickness 4 mm



Red indication LED



High voltage (Vset) regulator

<p>SIMCO ION An ITW Company www.simco-ion.nl Tel: +31 (0)573 288333</p>	Name: External Control Kit Perfomaster					Drawn: AB	Part no.: —	
	CAD generated NOT updated	Dimensions in mm	Date: 30-6-2011	A3	M: —		ECN2013-021	Check: BWB